

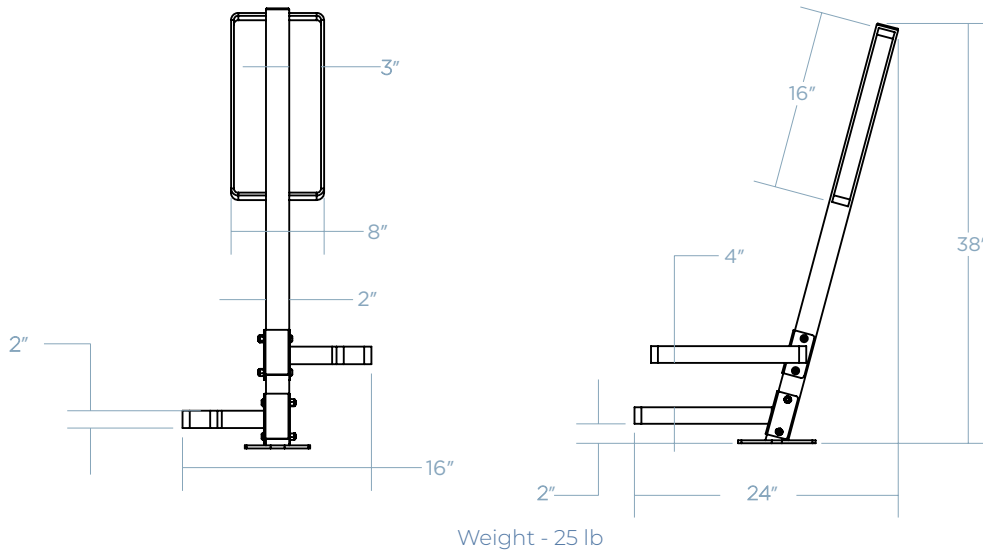
ZENITH BIKE RACK

Optimize your space with the Zenith Double Rack, a premium solution for streamlined bike parking in confined areas. Designed for individual floor installation, each rack accommodates two bikes at staggered heights. Enhance your organizational prowess with our sophisticated and low-profile design, harmonizing style and functionality. Discover refined storage solutions at Parkitect, where professionalism meets space efficiency.



 x 2 COST \$\$\$\$

DIMENSIONS



MOUNTING OPTIONS

SURFACE MOUNT



FINISH OPTIONS

POWDER COAT

GALVANIZED STEEL

THERMOPLASTIC*

STAINLESS STEEL*

* will incur additional cost



QUANTITY _____

CUSTOMER _____

COLOR _____

PROJECT _____

DATE _____

APPROVED BY _____