

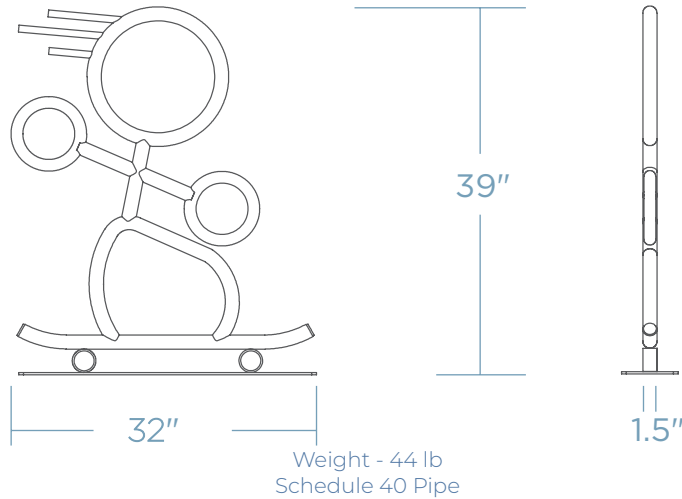
# SKATEBOARDER BIKE RACK

Ride into style with our Skateboarder Shaped Bike Rack – a fusion of urban flair and practicality designed to securely accommodate two bikes. Mimicking the silhouette of a skateboarder in action, it adds an edgy vibe to bike storage. Crafted from durable materials, it stands as a sturdy and captivating fixture in cityscapes, parks, or skatepark entrances. Make a statement about your love for both biking and skateboarding culture with the Skateboarder Shaped Bike Rack – where form meets function with a touch of urban attitude.



 x 2 COST \$\$\$\$

## DIMENSIONS



## MOUNTING OPTIONS

SURFACE MOUNT



IN GROUND



## FINISH OPTIONS

POWDER COAT

GALVANIZED STEEL

THERMOPLASTIC\*

\* will incur additional cost



QUANTITY \_\_\_\_\_

CUSTOMER \_\_\_\_\_

COLOR \_\_\_\_\_

PROJECT \_\_\_\_\_

DATE \_\_\_\_\_

APPROVED BY \_\_\_\_\_