

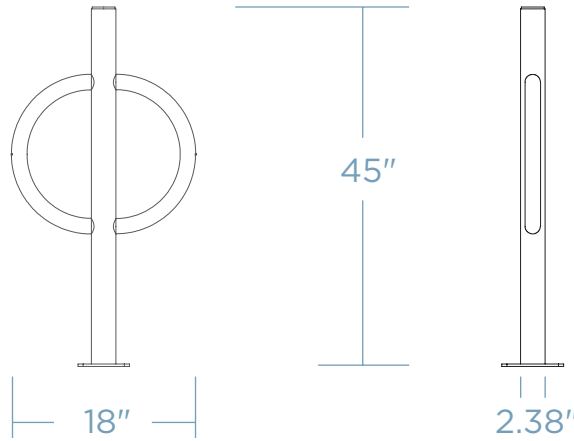
MOTION BIKE RACK

Elevate your cycling experience with our robust Motion Bike Rack, featuring sturdy tube construction and a seamlessly curved ring for unparalleled resistance against pipe cutters. This stylish and space-saving bike rack boasts street-friendly aesthetics, a sleek silhouette, and compatibility with all types of bike locks. The Motion Bike Rack will accommodate two bikes with this popular and secure parking solution.



 x 2 COST \$\$\$\$

DIMENSIONS

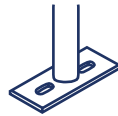


Weight - 32 lb
Schedule 40 Pipe

MOUNTING OPTIONS

SURFACE MOUNT

IN GROUND



FINISH OPTIONS

POWDER COAT

GALVANIZED STEEL

THERMOPLASTIC*

STAINLESS STEEL*

* will incur additional cost



QUANTITY _____

CUSTOMER _____

COLOR _____

PROJECT _____

DATE _____

APPROVED BY _____