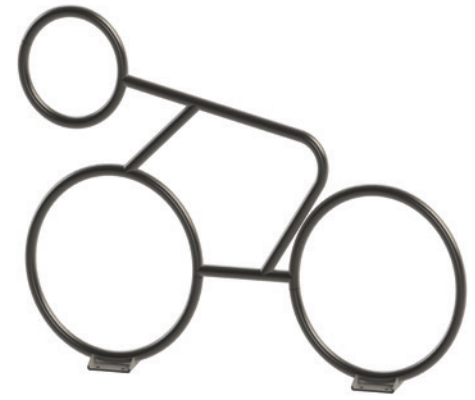


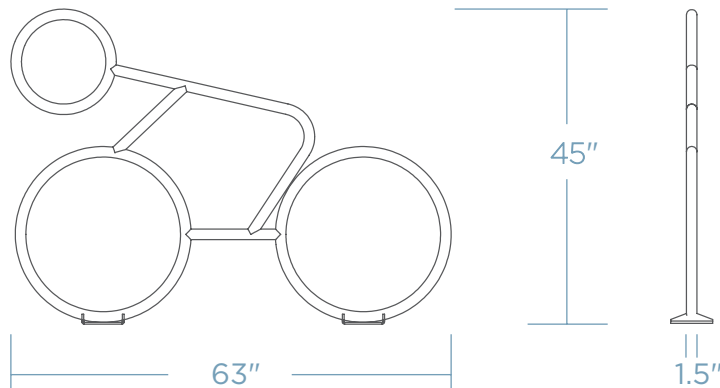
# BIKER BIKE RACK

Introducing our Biker Bike Rack, a visually striking and practical urban sculpture that not only captures attention but also offers a reliable and convenient parking solution for cyclists. Designed to accommodate two to four bikes and boasts a distinctive feature: it allows two points of locking contact with any bike lock. The Biker Bike Rack seamlessly blends artistry with functionality, creating an inviting space for cyclists to securely park their bikes.



 x 4 COST \$\$\$\$

## DIMENSIONS



Weight - 45 lb  
Schedule 40 Pipe

## MOUNTING OPTIONS

SURFACE MOUNT

IN GROUND



## FINISH OPTIONS

POWDER COAT

GALVANIZED STEEL

THERMOPLASTIC\*

STAINLESS STEEL\*

\* will incur additional cost



QUANTITY \_\_\_\_\_

CUSTOMER \_\_\_\_\_

COLOR \_\_\_\_\_

PROJECT \_\_\_\_\_

DATE \_\_\_\_\_

APPROVED BY \_\_\_\_\_