

# ARCH BIKE RACK

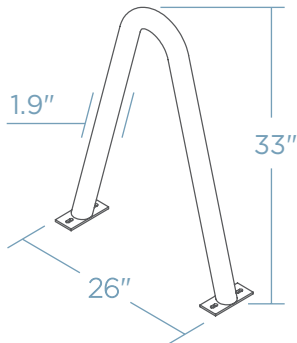
Enhance your outdoor space with the Arch Bike Rack, a contemporary and secure solution for bike parking. This sleek and modern rack offers two distinct contact points for stable bike placement at the front and rear. Utilize U-style locks to secure both the front tire and frame, ensuring the safety of your bikes. The Arch Bike Rack adds a touch of style to your environment while efficiently accommodating two bikes.



 x 2 COST \$\$\$\$

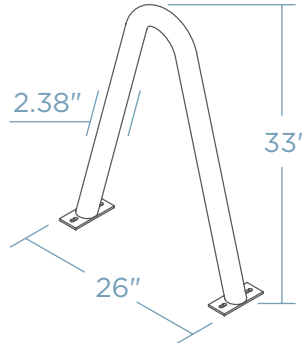
## TUBE OPTIONS

ARCH



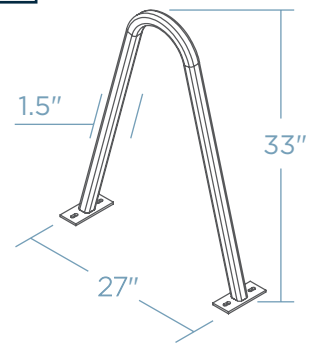
Weight - 30 lb  
Schedule 40 Pipe

ARCH PRO\*



Weight - 37 lb  
Schedule 40 Pipe

ARCH SQUARE\*



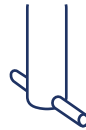
Weight - 30 lb  
7 Gauge Square Tube

## MOUNTING OPTIONS

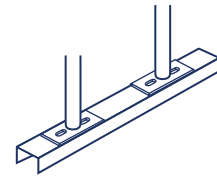
SURFACE MOUNT



IN GROUND



RAIL MOUNTED\*



## FINISH OPTIONS

POWDER COAT

GALVANIZED STEEL

THERMOPLASTIC\*

STAINLESS STEEL\*

\* will incur additional cost



QUANTITY \_\_\_\_\_

CUSTOMER \_\_\_\_\_

COLOR \_\_\_\_\_

PROJECT \_\_\_\_\_

DATE \_\_\_\_\_

APPROVED BY \_\_\_\_\_