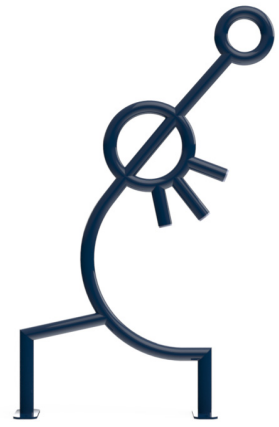


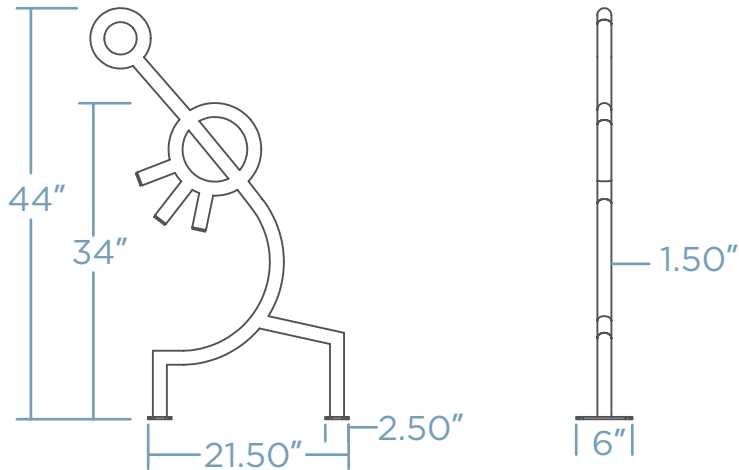
YOGA BIKE RACK

Introducing our Yoga Person Bike Rack – an innovative marriage of artistry and practicality designed to secure two bikes with flair. Inspired by the graceful form of a yoga practitioner, it brings a touch of serenity to bike parking. Crafted from durable materials, it stands as a reliable and captivating fixture in urban settings, parks, or fitness centers. Embrace sustainability and wellness with the Yoga Person Bike Rack – where functionality meets artistic expression in bike storage.



 x 2 COST \$\$\$\$

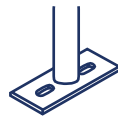
DIMENSIONS



Weight - 21 lb
Schedule 40 Pipe

MOUNTING OPTIONS

SURFACE MOUNT



FINISH OPTIONS

POWDER COAT GALVANIZED STEEL THERMOPLASTIC*

* will incur additional cost



QUANTITY _____ **CUSTOMER** _____
COLOR _____ **PROJECT** _____
DATE _____ **APPROVED BY** _____