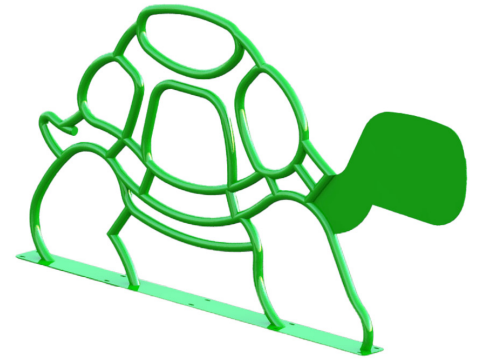


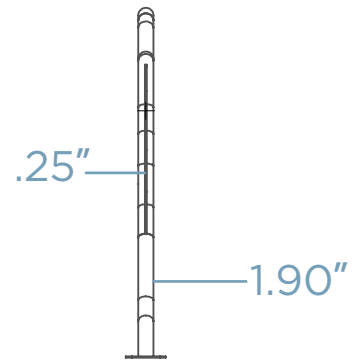
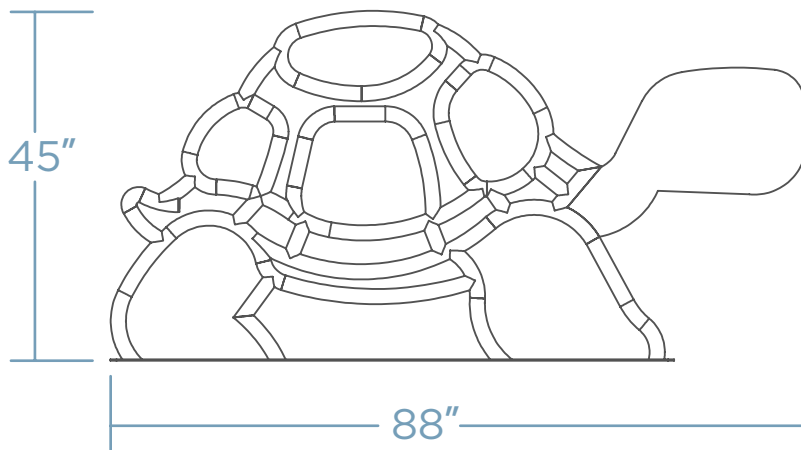
WALKING TURTLE BIKE RACK

Slow and steady meets style and function with our Turtle Bike Rack – a charming blend of whimsy and practicality designed to securely hold two bikes. Crafted in the adorable form of a turtle, it adds a touch of nature-inspired charm to any outdoor space. Constructed from durable materials, it stands as a reliable and eye-catching fixture in parks, green spaces, or nature reserves. Make a statement about your love for cycling and appreciation for wildlife with the Turtle Bike Rack – where practicality meets playful eco-consciousness.



 x 2 COST \$\$\$\$

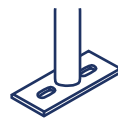
DIMENSIONS



Weight - 140 lb
Schedule 40 Pipe

MOUNTING OPTIONS

SURFACE MOUNT



FINISH OPTIONS

POWDER COAT

GALVANIZED STEEL

THERMOPLASTIC*

* will incur additional cost



QUANTITY _____

CUSTOMER _____

COLOR _____

PROJECT _____

DATE _____

APPROVED BY _____