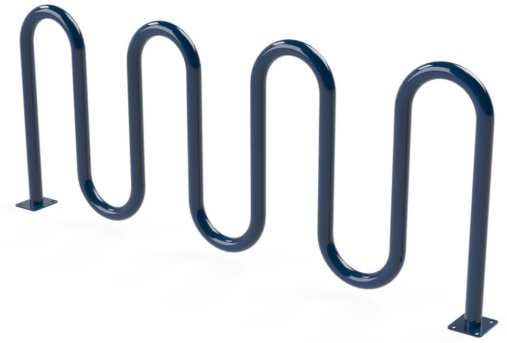


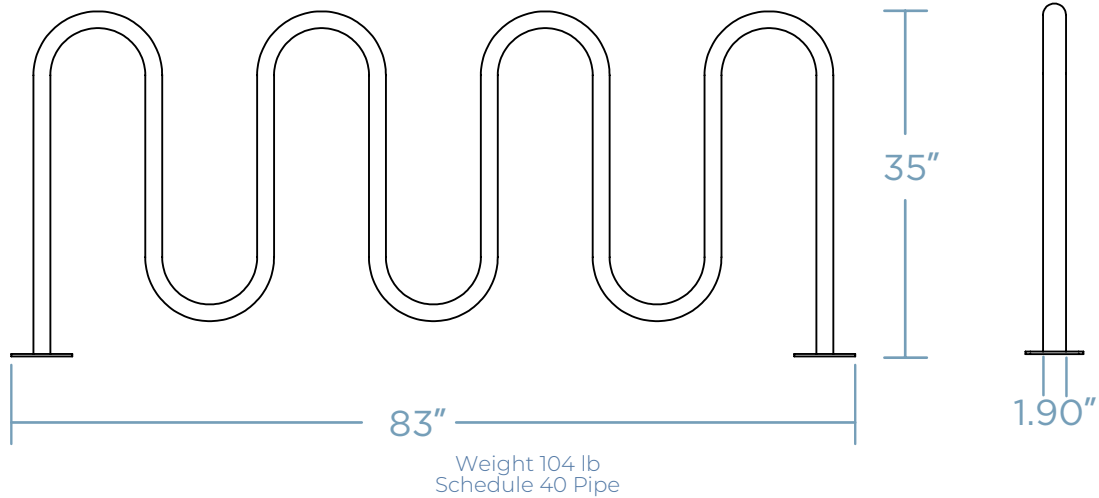
SONIC WAVE 9 BIKE RACK

Elevate your bike parking experience with the Sonic Wave Bike Rack. Its sleek design and robust security features have made it a preferred choice for schools and communities. Whether used in single-sided or double-sided configurations, this rack, with its thick pipe construction, ensures durability. Secure your bike with ease using a u-style bike lock to protect one wheel and frame.



 x 9 COST \$\$\$\$

DIMENSIONS

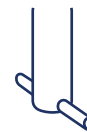
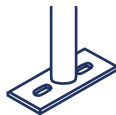


TUBE OPTIONS

- STANDARD 1.9" PRO 2.3/8" *

MOUNTING OPTIONS

- SURFACE MOUNT IN GROUND



FINISH OPTIONS

- POWDER COAT GALVANIZED STEEL THERMOPLASTIC* STAINLESS STEEL*

* will incur additional cost



QUANTITY _____ CUSTOMER _____
 COLOR _____ PROJECT _____
 DATE _____ APPROVED BY _____