

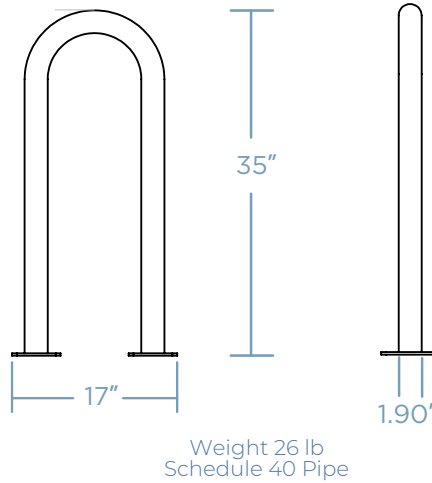
# SONIC WAVE 3 BIKE RACK

Elevate your bike parking experience with the Sonic Wave Bike Rack. Its sleek design and robust security features have made it a preferred choice for schools and communities. Whether used in single-sided or double-sided configurations, this rack, with its thick pipe construction, ensures durability. Secure your bike with ease using a u-style bike lock to protect one wheel and frame.



 x 3 COST \$\$\$\$

## DIMENSIONS



## TUBE OPTIONS

- STANDARD 1.9"  PRO 2.3/8" \*

## MOUNTING OPTIONS

- SURFACE MOUNT  IN GROUND



## FINISH OPTIONS

- POWDER COAT  GALVANIZED STEEL  THERMOPLASTIC\*  STAINLESS STEEL\*

\* will incur additional cost



QUANTITY \_\_\_\_\_ CUSTOMER \_\_\_\_\_  
 COLOR \_\_\_\_\_ PROJECT \_\_\_\_\_  
 DATE \_\_\_\_\_ APPROVED BY \_\_\_\_\_