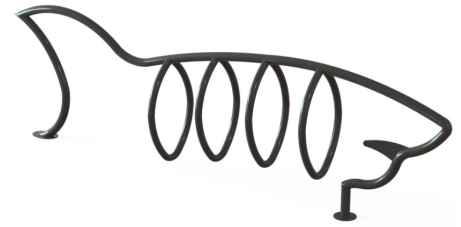


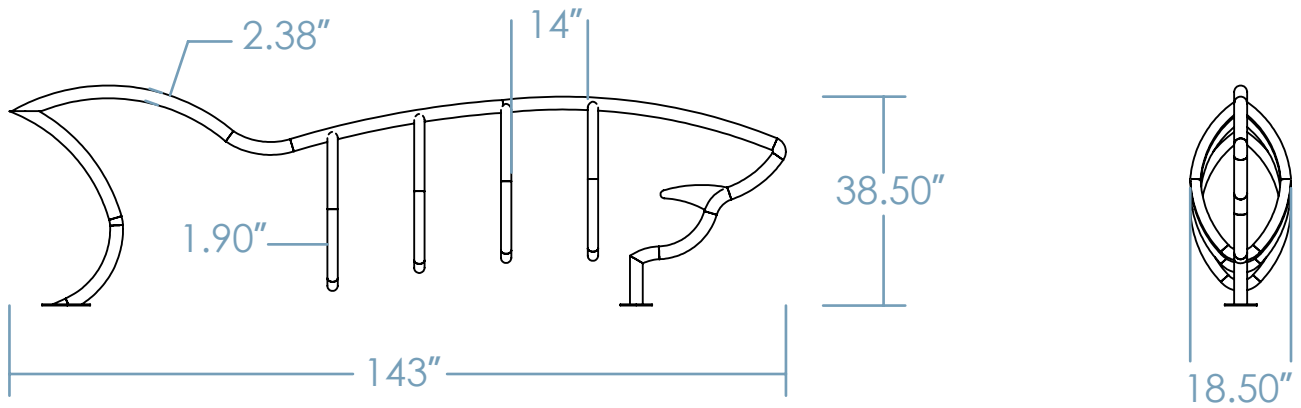
SHARK BIKE RACK

Dive into distinctive bike storage with our Shark Bike Rack – a sleek fusion of aquatic grace and functionality designed to securely hold two bikes. Inspired by the formidable silhouette of a shark, it adds a touch of oceanic adventure to any outdoor space. Crafted from durable materials, it stands as a sturdy and attention-grabbing fixture in coastal areas, parks, or waterfront trails. Make a statement about your love for cycling and marine fascination with the Shark Bike Rack – where practicality meets the spirit of the sea.



 x 2 COST \$\$\$\$

DIMENSIONS



Weight - 140 lb
Schedule 40 Pipe

MOUNTING OPTIONS

SURFACE MOUNT

IN GROUND



FINISH OPTIONS

POWDER COAT

GALVANIZED STEEL

THERMOPLASTIC*

* will incur additional cost



QUANTITY _____

CUSTOMER _____

COLOR _____

PROJECT _____

DATE _____

APPROVED BY _____