

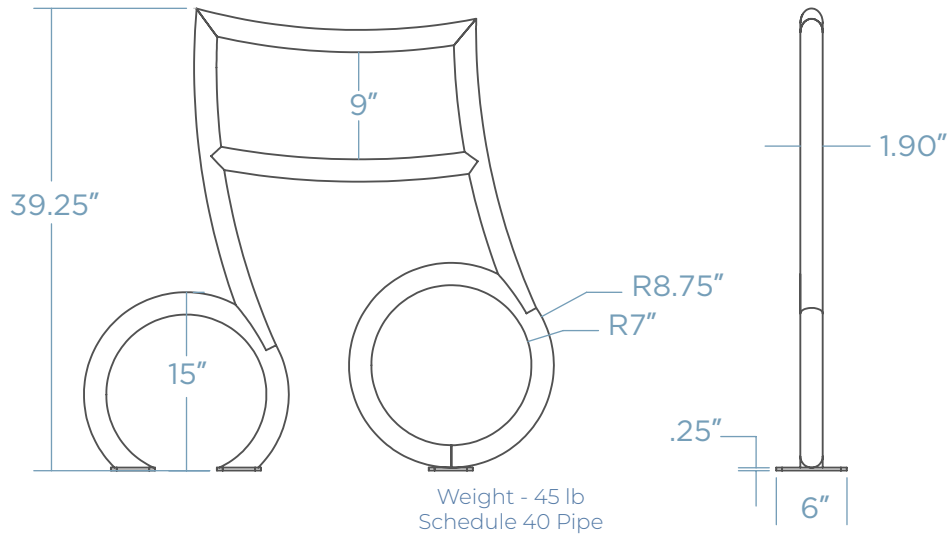
MUSIC NOTE BIKE RACK

Hit the right note with our Music Note Bike Rack – a harmonious blend of musical charm and functionality designed to securely hold two bikes. Inspired by the iconic symbol of musical notation, it adds a touch of rhythm to any outdoor space. Crafted from durable materials, it stands as a sturdy and eye-catching fixture in urban areas, parks, or music-loving communities. Make a statement about your love for cycling and passion for music with the Music Note Bike Rack – where practicality meets the melody of the streets.



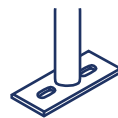
 x 2 COST \$\$\$\$

DIMENSIONS



MOUNTING OPTIONS

SURFACE MOUNT



FINISH OPTIONS

POWDER COAT

GALVANIZED STEEL

THERMOPLASTIC*

* will incur additional cost



QUANTITY _____

CUSTOMER _____

COLOR _____

PROJECT _____

DATE _____

APPROVED BY _____