

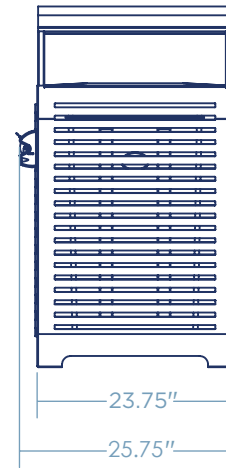
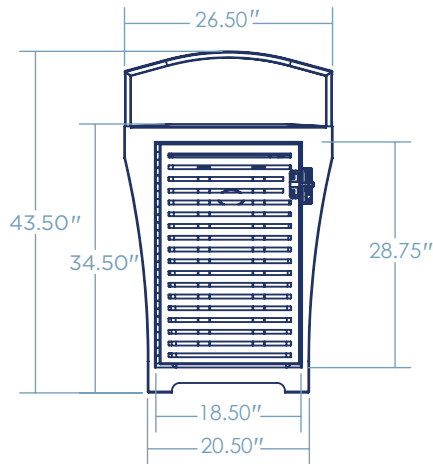
# LINEAR TAPER RECEPTACLE

A sleek and modern waste solution designed to harmonize with contemporary environments. The horizontal lines of this receptacle create a visually dynamic profile, while the tapered base adds an element of sophistication. Crafted from durable metal, the LinearTaper Metal Receptacle is an elegant addition to any urban setting, offering both form and function for efficient waste disposal.



COST \$\$\$\$

## DIMENSIONS



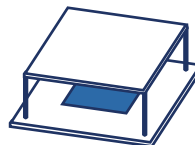
Weight - 100 lb  
11 Gauge Steel

## LID OPTIONS

FLAT TOP



RAIN BONNET



ASH TRAY



## RECEPTACLE TYPE

TRASH

RECYCLING

## CAPACITY

32 GALLON

44 GALLON

## FINISH OPTIONS

POWDER COAT

GALVANIZED STEEL

THERMOPLASTIC\*

STAINLESS STEEL\*

\* will incur additional cost



QUANTITY \_\_\_\_\_

CUSTOMER \_\_\_\_\_

COLOR \_\_\_\_\_

PROJECT \_\_\_\_\_

DATE \_\_\_\_\_

APPROVED BY \_\_\_\_\_