

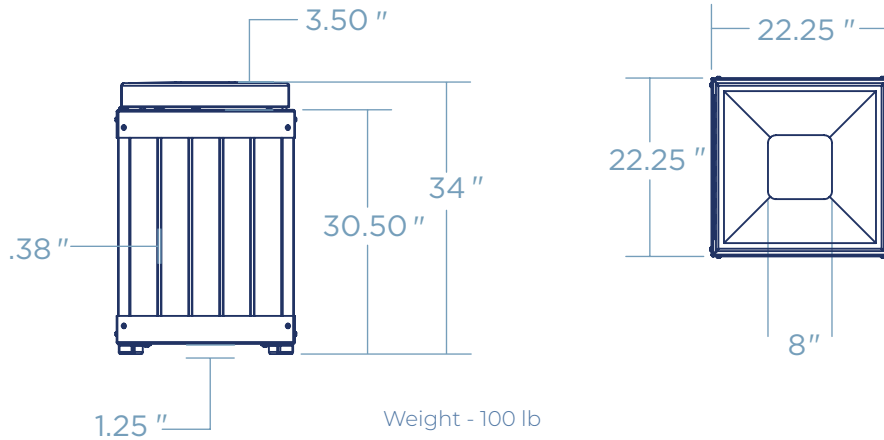
SQUARE HARBOR TIMBER RECEPTACLE

Elevate your surroundings with our architectural waste solution. Crafted with durable timber, this stylish square bin seamlessly integrates into urban spaces, offering both elegance and sustainability. Its secure design and weather-resistant finish make it the ideal choice for modern, eco-conscious environments.

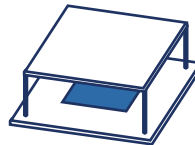


COST \$\$\$\$

DIMENSIONS



RAIN BONNET



ASH TRAY



RECEPTACLE TYPE



TRASH



RECYCLING

CAPACITY



32 GALLON



44 GALLON

FINISH OPTIONS



POWDER COAT



GALVANIZED STEEL



THERMOPLASTIC*



STAINLESS STEEL*



QUANTITY _____

CUSTOMER _____

COLOR _____

PROJECT _____

DATE _____

APPROVED BY _____