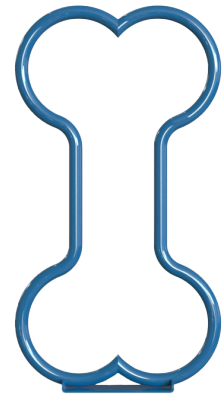


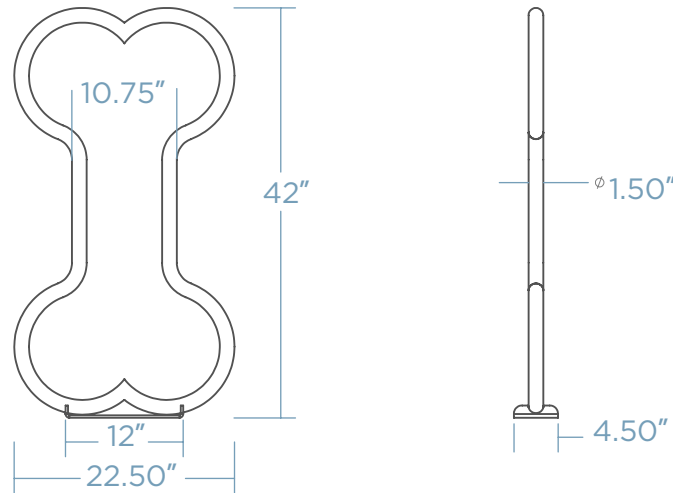
DOG BONE BIKE RACK

Unleash convenience with our Dog Bone Bike Rack – a playful blend of functionality and charm designed to securely hold two bikes. Shaped like a classic dog bone, it adds a touch of whimsy to bike storage. Crafted from durable materials, it stands as a reliable and delightful fixture in urban areas, parks, or pet-friendly spaces. Make a statement about your love for cycling and furry friends with the Dog Bone Bike Rack – where practicality meets pet-friendly design.



 x 2 COST \$\$\$\$

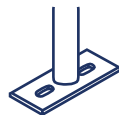
DIMENSIONS



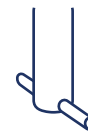
Weight - 35 lb
Schedule 40 Pipe

MOUNTING OPTIONS

SURFACE MOUNT



IN GROUND



FINISH OPTIONS

POWDER COAT

GALVANIZED STEEL

THERMOPLASTIC*

* will incur additional cost



QUANTITY _____

CUSTOMER _____

COLOR _____

PROJECT _____

DATE _____

APPROVED BY _____