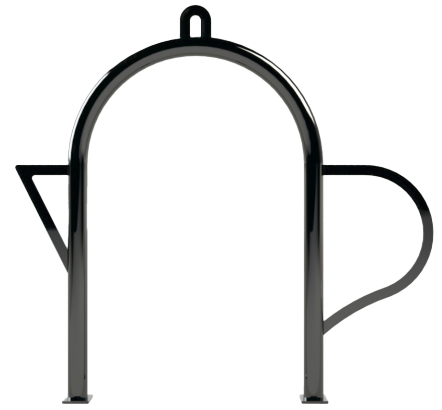


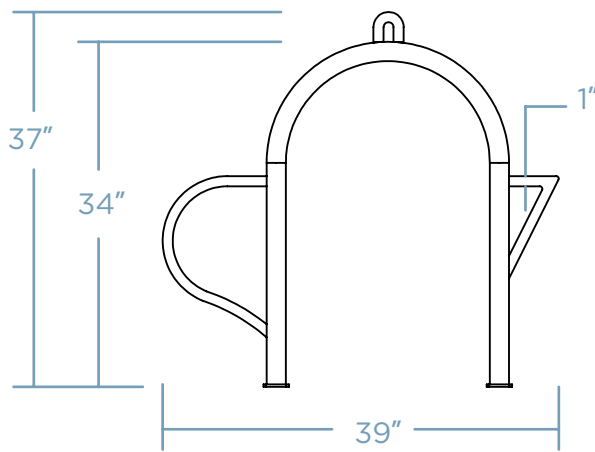
COFFEE POT BIKE RACK

Brew up some style and functionality with our Coffee Pot Bike Rack – a charming blend of java-inspired design and practicality designed to securely hold two bikes. Inspired by the iconic kitchen essential, it adds a touch of caffeinated charm to any outdoor space. Crafted from durable materials, it stands as a sturdy and eye-catching fixture in coffee shops, urban plazas, or caffeine-fueled communities. Make a statement about your love for cycling and the art of brewing with the Coffee Pot Bike Rack – where practicality meets the aromatic allure of freshly brewed adventure.

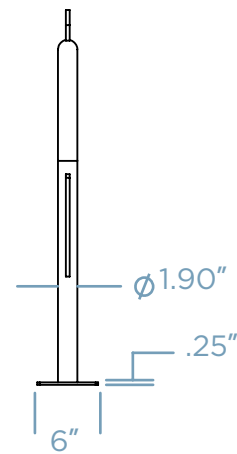


 x 2 COST \$\$\$\$

DIMENSIONS



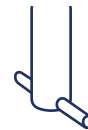
Weight - 45 lb
Schedule 40 Pipe



MOUNTING OPTIONS

SURFACE MOUNT

IN GROUND



FINISH OPTIONS

POWDER COAT

GALVANIZED STEEL

THERMOPLASTIC*

* will incur additional cost



QUANTITY _____

CUSTOMER _____

COLOR _____

PROJECT _____

DATE _____

APPROVED BY _____