

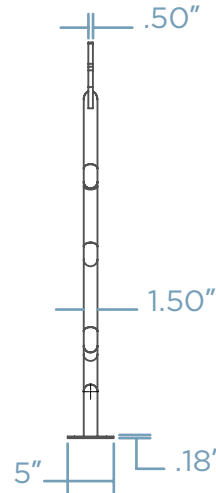
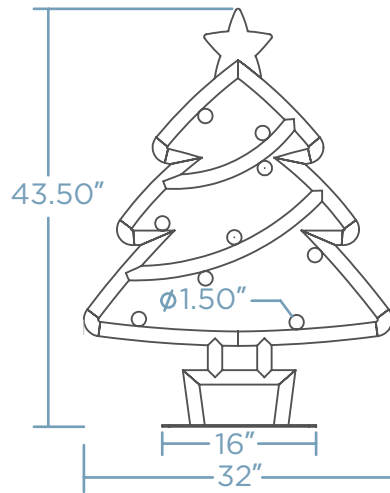
CHRISTMAS TREE BIKE RACK

Add festive flair to your bike storage with our Christmas Tree Bike Rack – a cheerful blend of holiday spirit and functionality designed to securely hold two bikes. Inspired by the iconic symbol of Christmas, it brings joy and merriment to any outdoor space. Crafted from durable materials, it stands as a sturdy and eye-catching fixture in town squares, shopping districts, or holiday markets. Make a statement about your love for cycling and festive celebrations with the Christmas Tree Bike Rack – where practicality meets seasonal charm.



 x 2 COST \$\$\$\$

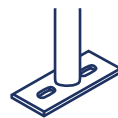
DIMENSIONS



Weight - 45 lb
Schedule 40 Pipe

MOUNTING OPTIONS

SURFACE MOUNT



FINISH OPTIONS

POWDER COAT

GALVANIZED STEEL

THERMOPLASTIC*

* will incur additional cost



QUANTITY _____

CUSTOMER _____

COLOR _____

PROJECT _____

DATE _____

APPROVED BY _____