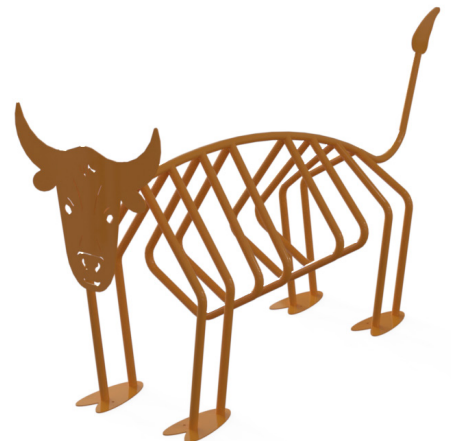


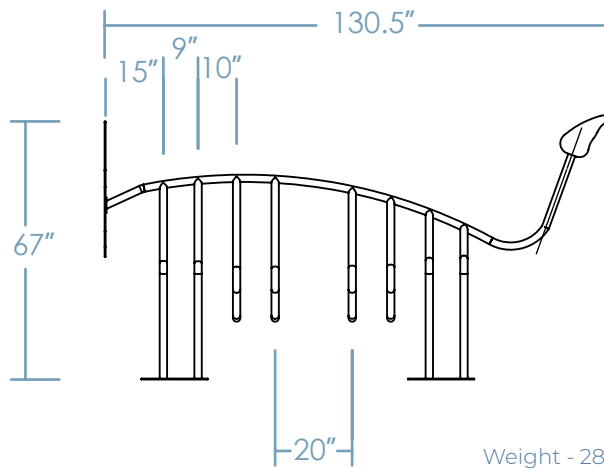
BULL BIKE RACK

Charge into unique bike storage with our Bull Bike Rack – a bold fusion of strength and style designed to securely hold two bikes. Inspired by the majestic form of a bull, it adds a powerful presence to any outdoor environment. Crafted from durable materials, it stands as a sturdy and eye-catching fixture in parks, urban spaces, or themed areas. Make a statement about your love for cycling and fearless determination with the Bull Bike Rack – where practicality meets the spirit of the bull.

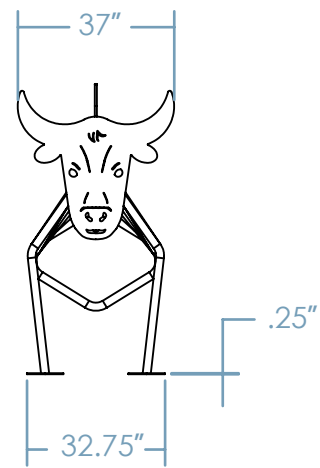


 x 2 COST \$\$\$\$

DIMENSIONS

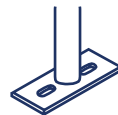


Weight - 28 lb
Schedule 40 Pipe



MOUNTING OPTIONS

SURFACE MOUNT



FINISH OPTIONS

POWDER COAT

GALVANIZED STEEL

THERMOPLASTIC*

* will incur additional cost



QUANTITY _____

CUSTOMER _____

COLOR _____

PROJECT _____

DATE _____

APPROVED BY _____