

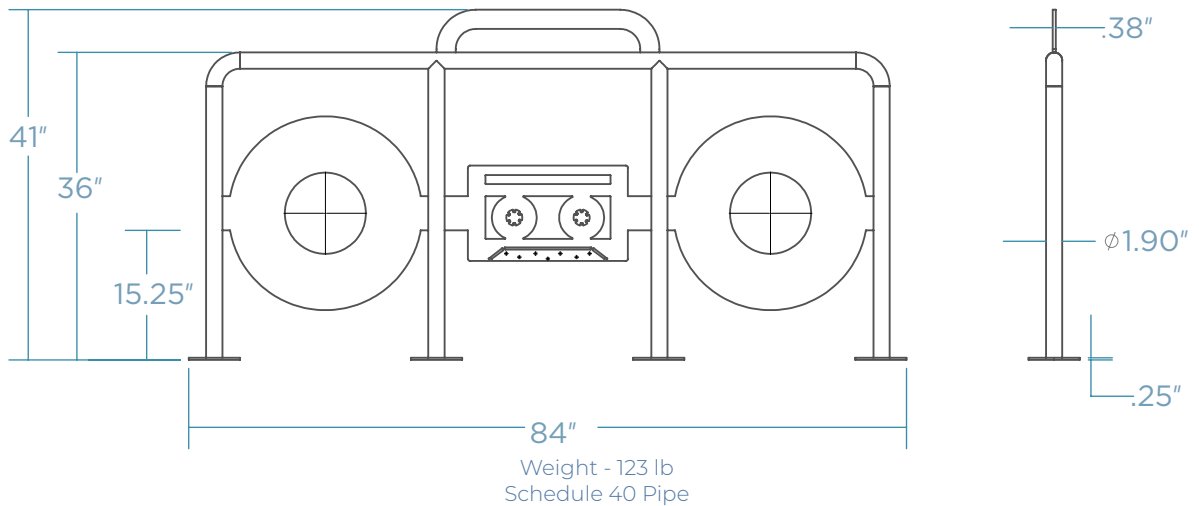
BOOMBOX BIKE RACK

Rock your ride with our Boombox Bike Rack – a groovy fusion of retro style and functionality designed to securely hold two bikes. Inspired by the iconic boombox of yesteryears, it adds a touch of musical nostalgia to any outdoor space. Crafted from durable materials, it stands as a sturdy and eye-catching fixture in urban areas, parks, or music-loving communities. Make a statement about your love for cycling and old-school beats with the Boombox Bike Rack – where practicality meets the rhythm of the streets.



 x 2 COST \$\$\$\$

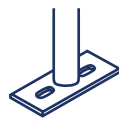
DIMENSIONS



MOUNTING OPTIONS

SURFACE MOUNT

IN GROUND



FINISH OPTIONS

POWDER COAT

GALVANIZED STEEL

THERMOPLASTIC*

* will incur additional cost



QUANTITY _____

CUSTOMER _____

COLOR _____

PROJECT _____

DATE _____

APPROVED BY _____