

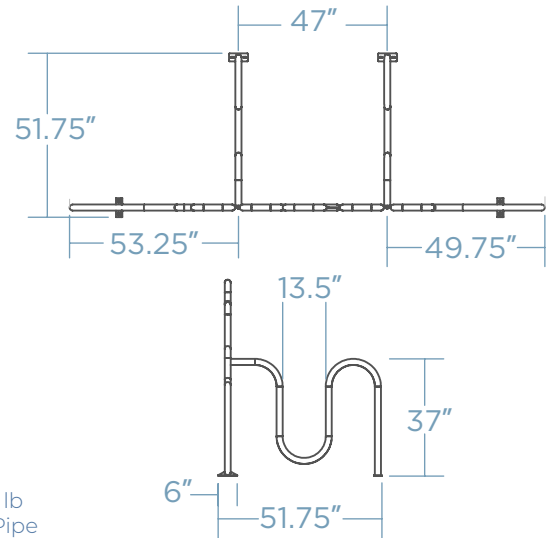
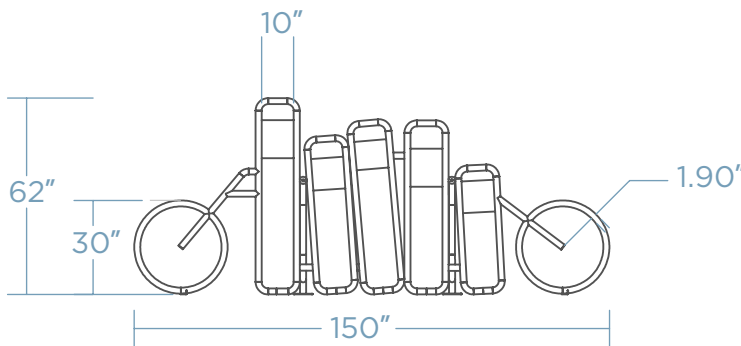
BOOK BIKE RACK

Open up a world of literary charm with our Book Bike Rack – a creative blend of imagination and functionality designed to securely hold two bikes. Inspired by the pages of your favorite novels, it adds a touch of intellectual flair to any outdoor space. Crafted from durable materials, it stands as a sturdy and eye-catching fixture in libraries, bookstores, or literary-themed areas. Make a statement about your love for cycling and the written word with the Book Bike Rack – where practicality meets literary inspiration.



 x 4 COST \$\$\$\$

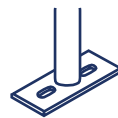
DIMENSIONS



Weight - 281 lb
Schedule 40 Pipe

MOUNTING OPTIONS

SURFACE MOUNT



FINISH OPTIONS

POWDER COAT

GALVANIZED STEEL

THERMOPLASTIC*

* will incur additional cost



QUANTITY _____

CUSTOMER _____

COLOR _____

PROJECT _____

DATE _____

APPROVED BY _____