

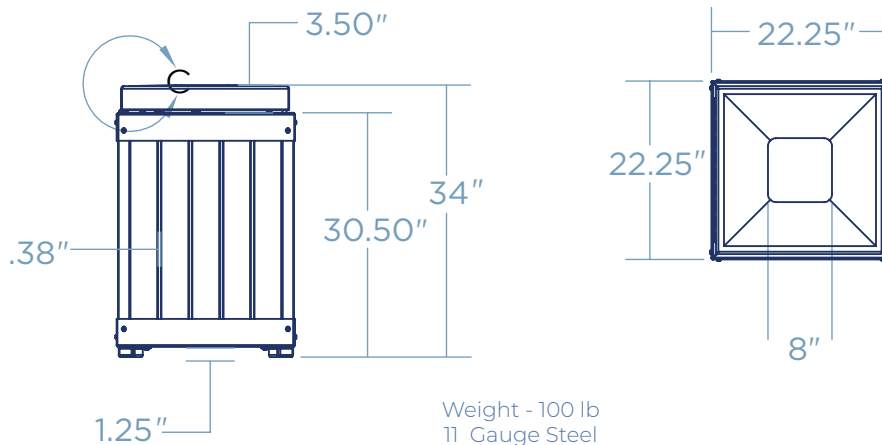
# SQUARE HARBOR TIMBER RECEPTACLE

Elevate your surroundings with our architectural waste solution. Crafted with durable timber, this stylish square bin seamlessly integrates into urban spaces, offering both elegance and sustainability. Its secure design and weather-resistant finish make it the ideal choice for modern, eco-conscious environments.



COST \$\$\$\$

## DIMENSIONS

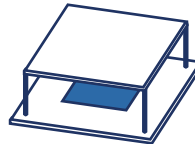


## LID OPTIONS

FLAT TOP



RAIN BONNET



ASH TRAY



## MOUNTING OPTIONS

SURFACE MOUNT

## FINISH OPTIONS

POWDER COAT

GALVANIZED STEEL

THERMOPLASTIC\*

STAINLESS STEEL\*

\* will incur additional cost



QUANTITY \_\_\_\_\_

CUSTOMER \_\_\_\_\_

COLOR \_\_\_\_\_

PROJECT \_\_\_\_\_

DATE \_\_\_\_\_

APPROVED BY \_\_\_\_\_