

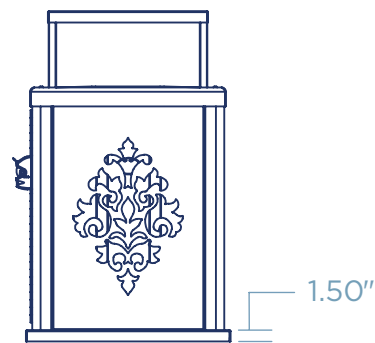
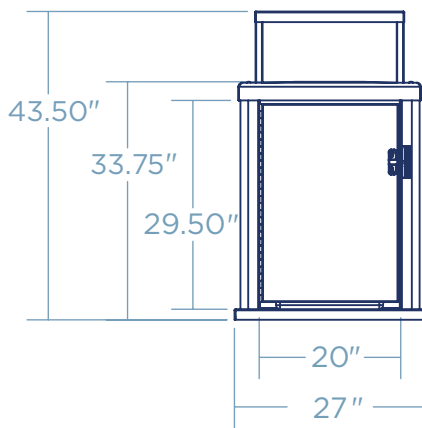
URBAN FORGE RECEPTACLE

A sophisticated blend of contemporary design and industrial durability. This sleek waste bin is crafted from robust metal, offering a modern aesthetic that effortlessly complements urban landscapes. Ideal for parks, plazas, and high-traffic areas, the UrbanForge Metal Receptacle combines form with function, providing a resilient and stylish solution for efficient waste management.



COST \$\$\$\$

DIMENSIONS



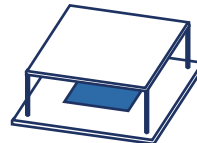
Weight - 100 lb
11 Gauge Steel

LID OPTIONS

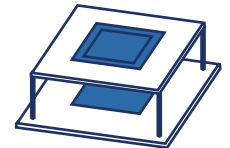
FLAT TOP



RAIN BONNET



ASH TRAY



MOUNTING OPTIONS

SURFACE MOUNT

FINISH OPTIONS

POWDER COAT

GALVANIZED STEEL

THERMOPLASTIC*

STAINLESS STEEL*

* will incur additional cost



QUANTITY _____

CUSTOMER _____

COLOR _____

PROJECT _____

DATE _____

APPROVED BY _____