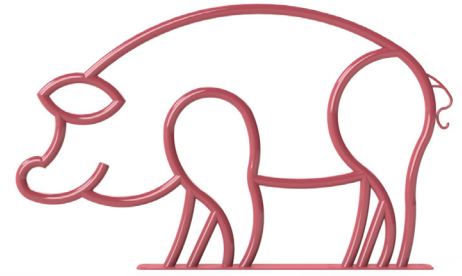


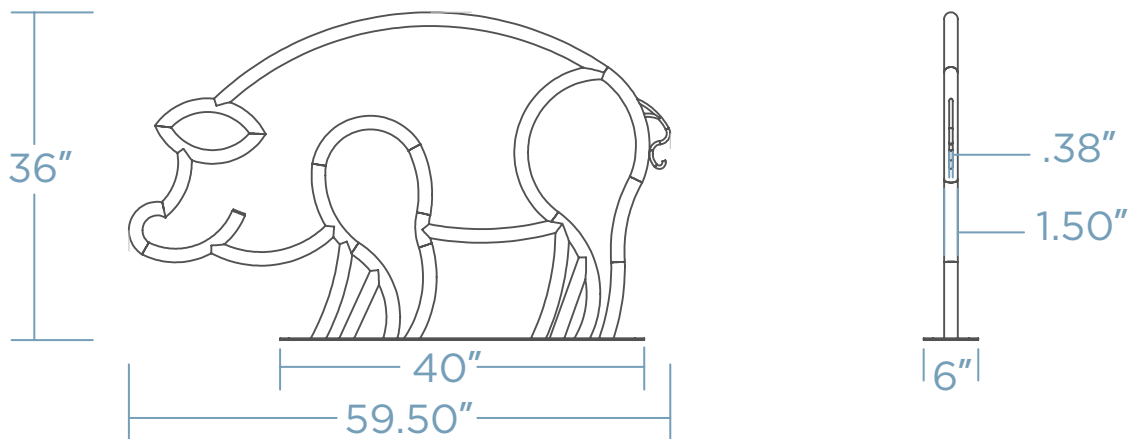
PIG BIKE RACK

Bring a touch of whimsy to your bike storage solution with our Pig Bike Rack – a charming blend of character and functionality designed to securely hold two bikes. Crafted in the delightful form of a cheerful pig, it adds a playful accent to any outdoor space. Constructed from durable materials, it stands as a reliable and eye-catching fixture in parks, green spaces, or farm-themed areas. Make a statement about your love for cycling and a touch of countryside charm with the Pig Bike Rack – where practicality meets piggy personality.



 x 2 COST \$\$\$\$

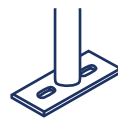
DIMENSIONS



Weight - 150 lb
Schedule 40 Pipe

MOUNTING OPTIONS

SURFACE MOUNT



FINISH OPTIONS

POWDER COAT GALVANIZED STEEL THERMOPLASTIC*

* will incur additional cost



QUANTITY _____ **CUSTOMER** _____
COLOR _____ **PROJECT** _____
DATE _____ **APPROVED BY** _____