

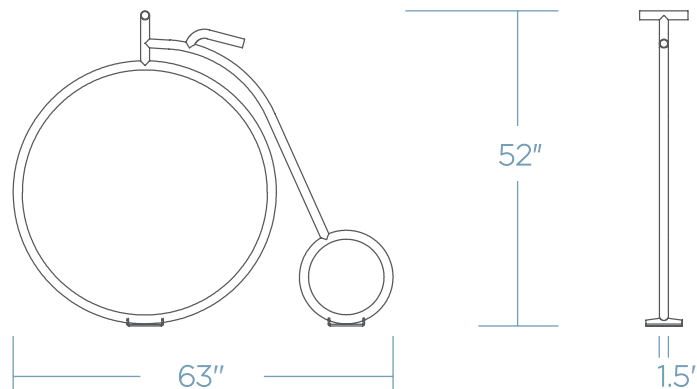
PENNY FARTHING BIKE RACK

Introducing our Biker Bike Rack, a visually striking and practical urban sculpture that not only captures attention but also offers a reliable and convenient parking solution for cyclists. Designed to accommodate two to four bikes and boasts a distinctive feature: it allows two points of locking contact with any bike lock. The Biker Bike Rack seamlessly blends artistry with functionality, creating an inviting space for cyclists to securely park their bikes.



 x 4 COST \$\$\$\$

DIMENSIONS



Weight - 45 lb
Schedule 40 Pipe

MOUNTING OPTIONS

SURFACE MOUNT



IN GROUND



FINISH OPTIONS

POWDER COAT

GALVANIZED STEEL

THERMOPLASTIC*

STAINLESS STEEL*

* will incur additional cost



QUANTITY _____

CUSTOMER _____

COLOR _____

PROJECT _____

DATE _____

APPROVED BY _____