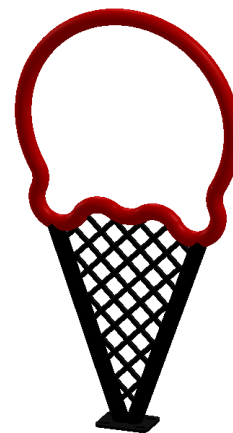


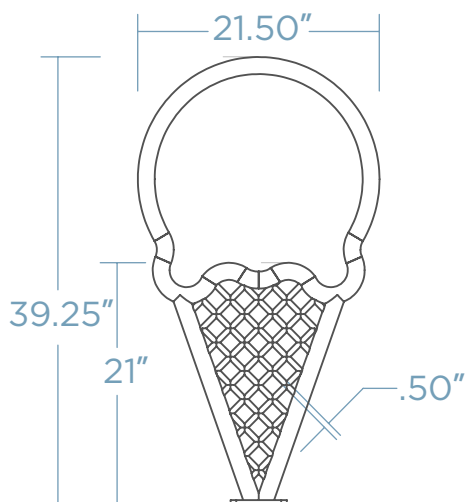
ICE CREAM CONE BIKE RACK

Indulge in sweet style with our Ice Cream Cone Bike Rack – a delicious fusion of whimsy and functionality designed to securely hold two bikes. Inspired by everyone’s favorite frozen treat, it brings a scoop of fun to any outdoor space. Crafted from durable materials, it stands as a sturdy and eye-catching fixture in parks, playgrounds, or ice cream parlors. Make a statement about your love for cycling and summertime treats with the Ice Cream Cone Bike Rack – where practicality meets sugary charm.

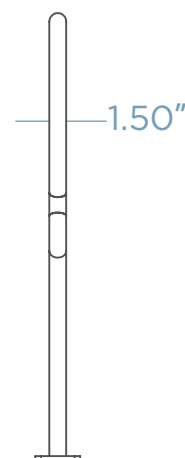


 x 2 COST \$\$\$\$

DIMENSIONS



Weight - 150 lb
Schedule 40 Pipe



MOUNTING OPTIONS

SURFACE MOUNT



FINISH OPTIONS

POWDER COAT

GALVANIZED STEEL

THERMOPLASTIC*

* will incur additional cost



QUANTITY _____

CUSTOMER _____

COLOR _____

PROJECT _____

DATE _____

APPROVED BY _____