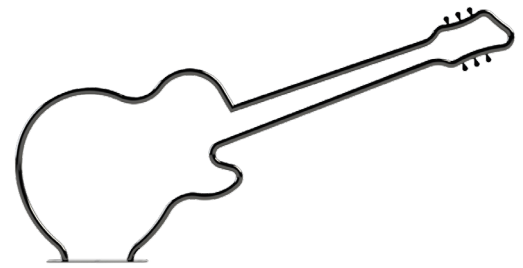


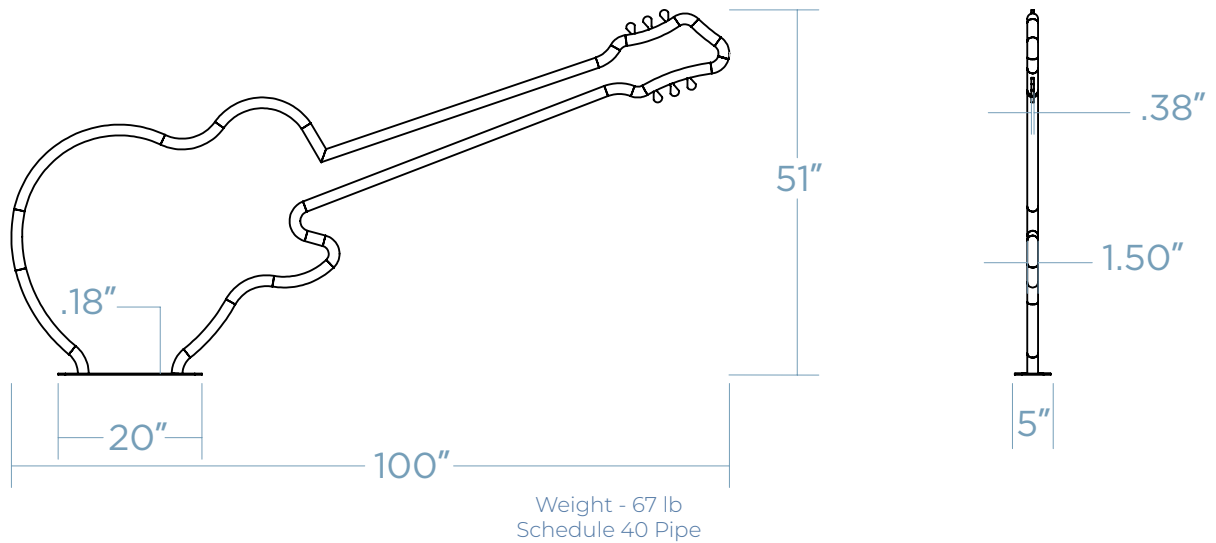
GUITAR BIKE RACK

Strum into style with our Guitar Bike Rack – a harmonious blend of musical inspiration and functionality designed to securely hold two bikes. Inspired by the iconic shape of a guitar, it adds a touch of rock ‘n’ roll flair to any outdoor space. Crafted from durable materials, it stands as a sturdy and eye-catching fixture in urban areas, parks, or music-loving communities. Make a statement about your love for cycling and musical passion with the Guitar Bike Rack – where practicality meets the rhythm of the road.



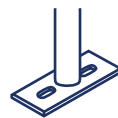
 x 2 COST \$\$\$\$

DIMENSIONS



MOUNTING OPTIONS

SURFACE MOUNT



FINISH OPTIONS

POWDER COAT GALVANIZED STEEL THERMOPLASTIC*

* will incur additional cost



QUANTITY _____ CUSTOMER _____
 COLOR _____ PROJECT _____
 DATE _____ APPROVED BY _____