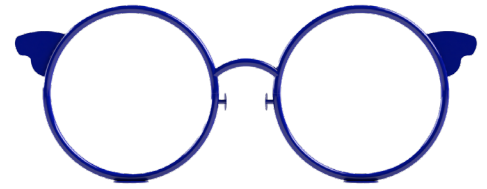


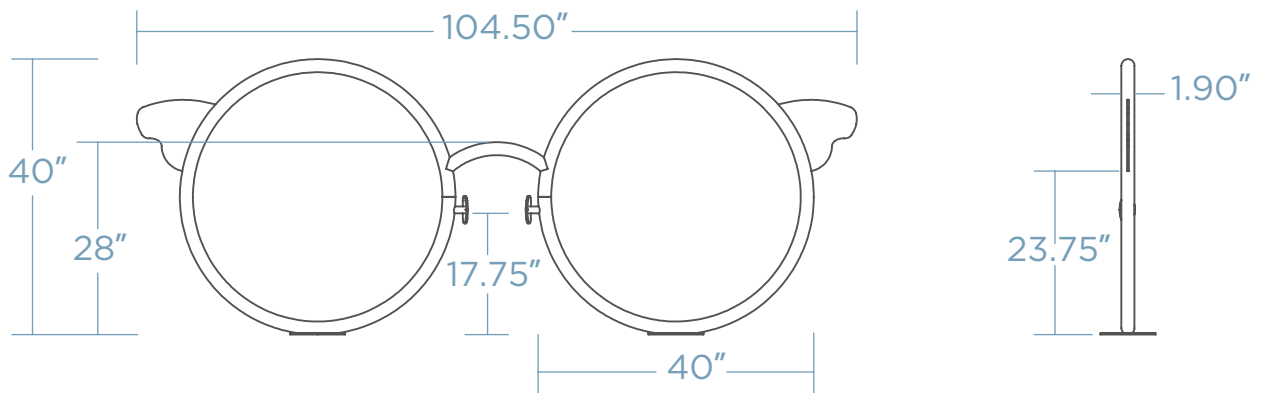
EYE GLASSES BIKE RACK

Pedal into style with our Eye Glasses Bike Rack – a sleek fusion of fashion and functionality designed to securely hold two bikes. Inspired by the timeless accessory, it adds a touch of urban chic to any outdoor space. Crafted from durable materials, it stands as a sturdy and eye-catching fixture in trendy neighborhoods, bike paths, or urban parks. Make a statement about your love for cycling and contemporary design with the Eye Glasses Bike Rack – where practicality meets eyewear-inspired flair.



 x 2 COST \$\$\$\$

DIMENSIONS



Weight - 75 lb
Schedule 40 Pipe

MOUNTING OPTIONS

SURFACE MOUNT



FINISH OPTIONS

POWDER COAT GALVANIZED STEEL THERMOPLASTIC*

* will incur additional cost



QUANTITY _____ CUSTOMER _____
COLOR _____ PROJECT _____
DATE _____ APPROVED BY _____