

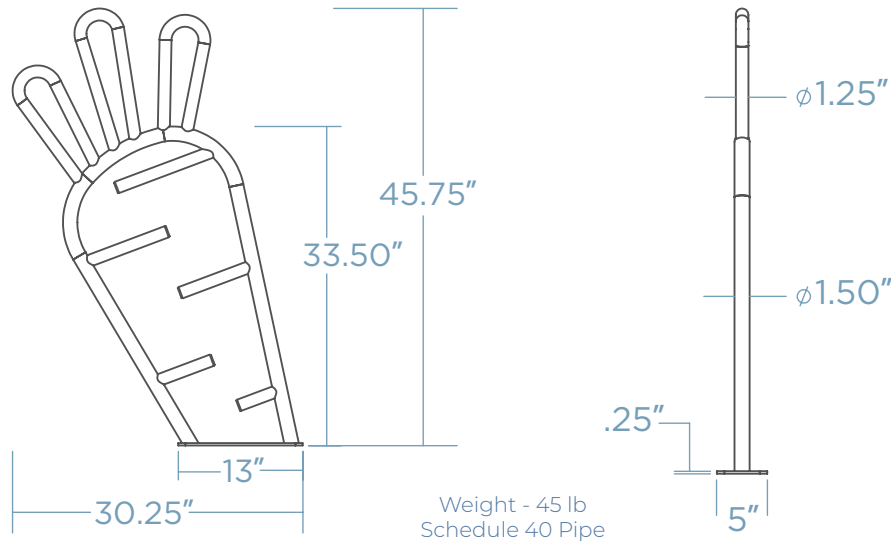
CARROT BIKE RACK

Add a touch of whimsy to your bike storage with our Carrot Bike Rack – a playful blend of garden charm and functionality designed to securely hold two bikes. Inspired by the iconic vegetable, it brings a hint of natural allure to any outdoor space. Crafted from durable materials, it stands as a sturdy and eye-catching fixture in parks, community gardens, or farm-to-table areas. Make a statement about your love for cycling and fresh produce with the Carrot Bike Rack – where practicality meets veggie-inspired fun.



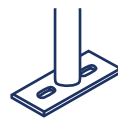
 x 2 COST \$\$\$\$

DIMENSIONS



MOUNTING OPTIONS

SURFACE MOUNT



FINISH OPTIONS

POWDER COAT GALVANIZED STEEL THERMOPLASTIC*

* will incur additional cost



QUANTITY _____ CUSTOMER _____
 COLOR _____ PROJECT _____
 DATE _____ APPROVED BY _____