

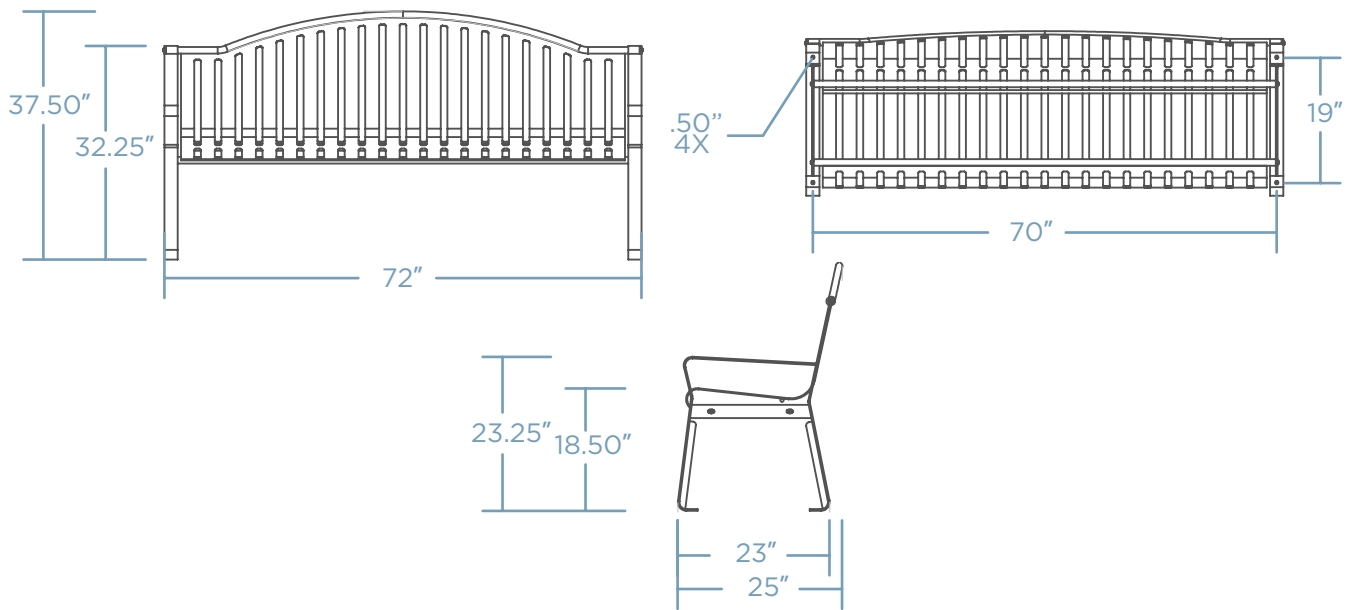
ARCH BACK STRAP BENCH

Introducing Parkitect's Arch Back Strap Formed Bench—a distinctive seating solution that effortlessly blends style and comfort for outdoor spaces. The unique arch back and carefully crafted strap detailing make this bench a standout addition to gardens, parks, and public areas. Meticulously formed by Parkitect, it adds a touch of sophistication, creating an inviting ambiance in any outdoor setting. Elevate your space with the Arch Back Strap Formed Bench—where distinctive design meets exceptional comfort for a stylish and welcoming atmosphere.



x 2 COST \$\$\$\$

DIMENSIONS



Weight - 150 lb
12 Gauge Steel

LENGTH OPTIONS

48 INCHES / 4 FEET

72 INCHES / 6 FEET

96 INCHES / 8 FEET

MOUNTING OPTIONS

SURFACE MOUNT

* will incur additional cost



QUANTITY _____

CUSTOMER _____

COLOR _____

PROJECT _____

DATE _____

APPROVED BY _____