

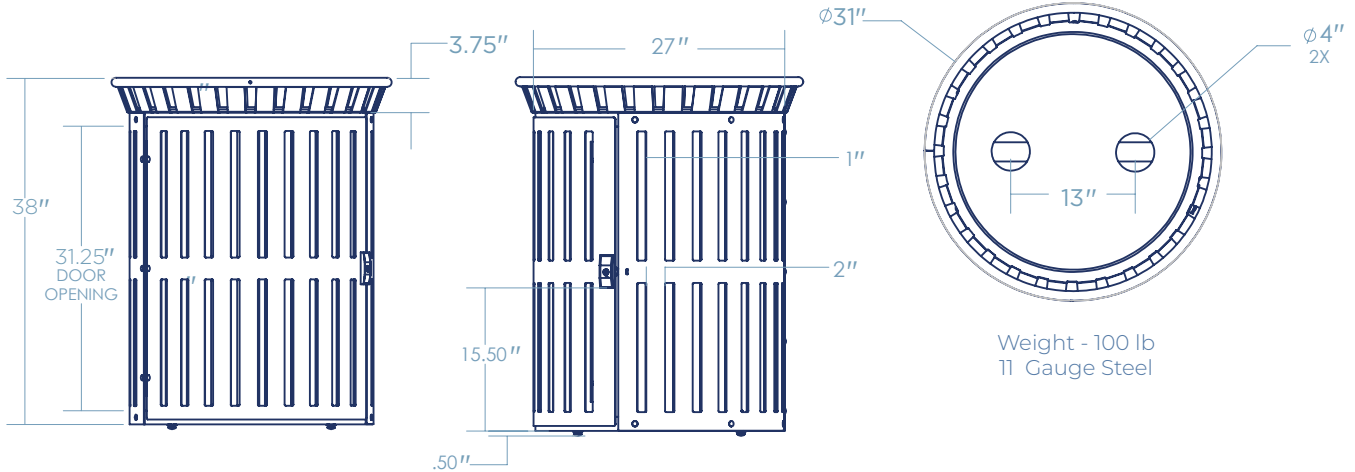
SLAT RECYCLE RECEPTACLE

A sleek and eco-friendly option for organized waste separation in public areas. Engineered from sturdy slatted steel, its innovative design combines strength with a modern aesthetic. The outer shell features a textured polyethylene coating, ensuring both durability and an attractive look. With dedicated compartments for recyclables, this receptacle encourages responsible waste disposal. Available in various colors and equipped with a 32-gallon capacity, the Slat Recycle Receptacle is the ideal choice for environmentally conscious spaces.



COST \$\$\$\$

DIMENSIONS

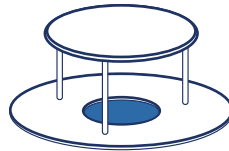


LID OPTIONS

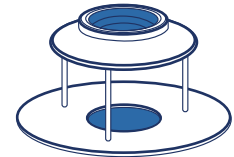
FLAT TOP



RAIN BONNET



ASH TRAY



MOUNTING OPTIONS

SURFACE MOUNT

FINISH OPTIONS

POWDER COAT

GALVANIZED STEEL

THERMOPLASTIC*

STAINLESS STEEL*

* will incur additional cost



QUANTITY _____

CUSTOMER _____

COLOR _____

PROJECT _____

DATE _____

APPROVED BY _____